

A

A

B

B

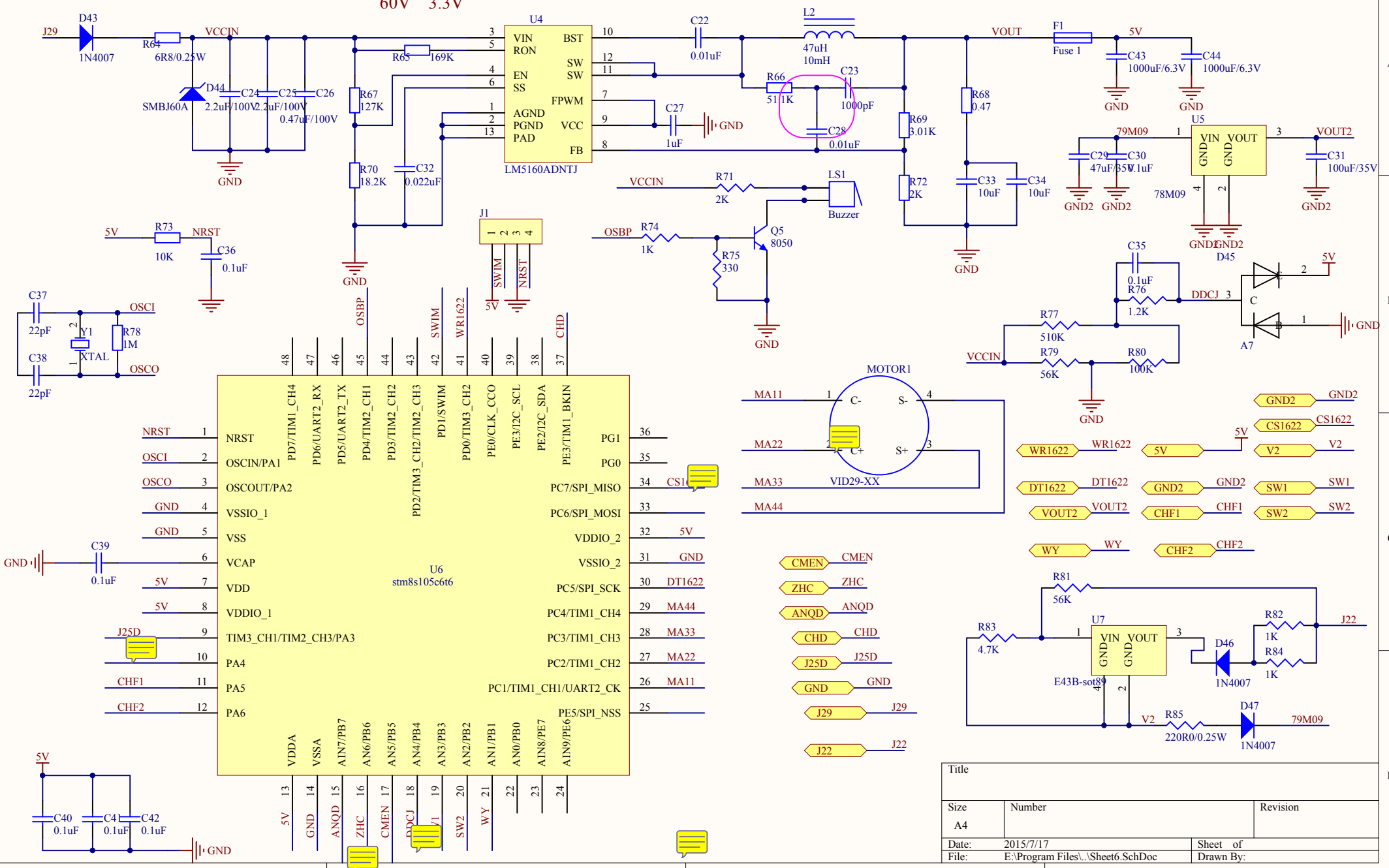
C

C

D

D

60V 3.3V



Title		
Size	A4	Number
Date:	2015/7/17	Revision
File:	E:\Program Files\Sheet6.SchDoc	Sheet of
		Drawn By: