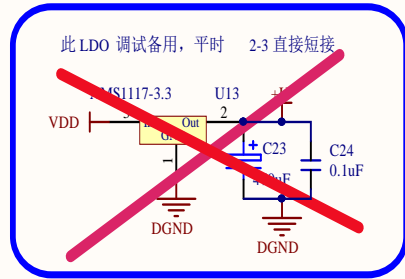
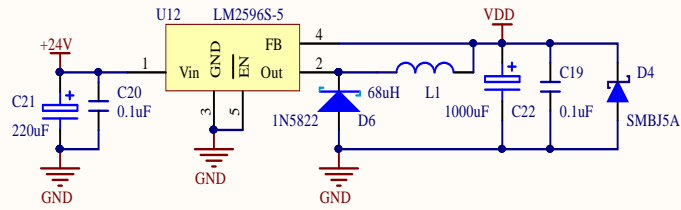
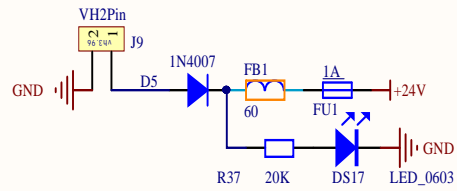
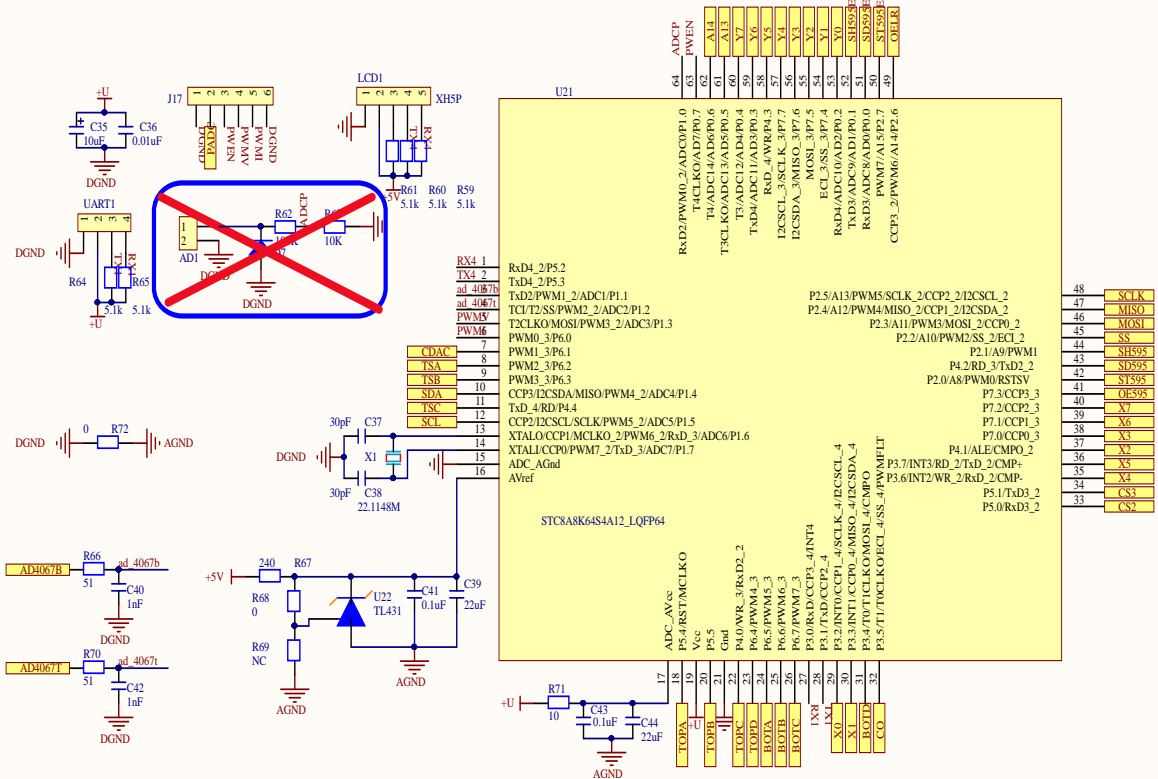


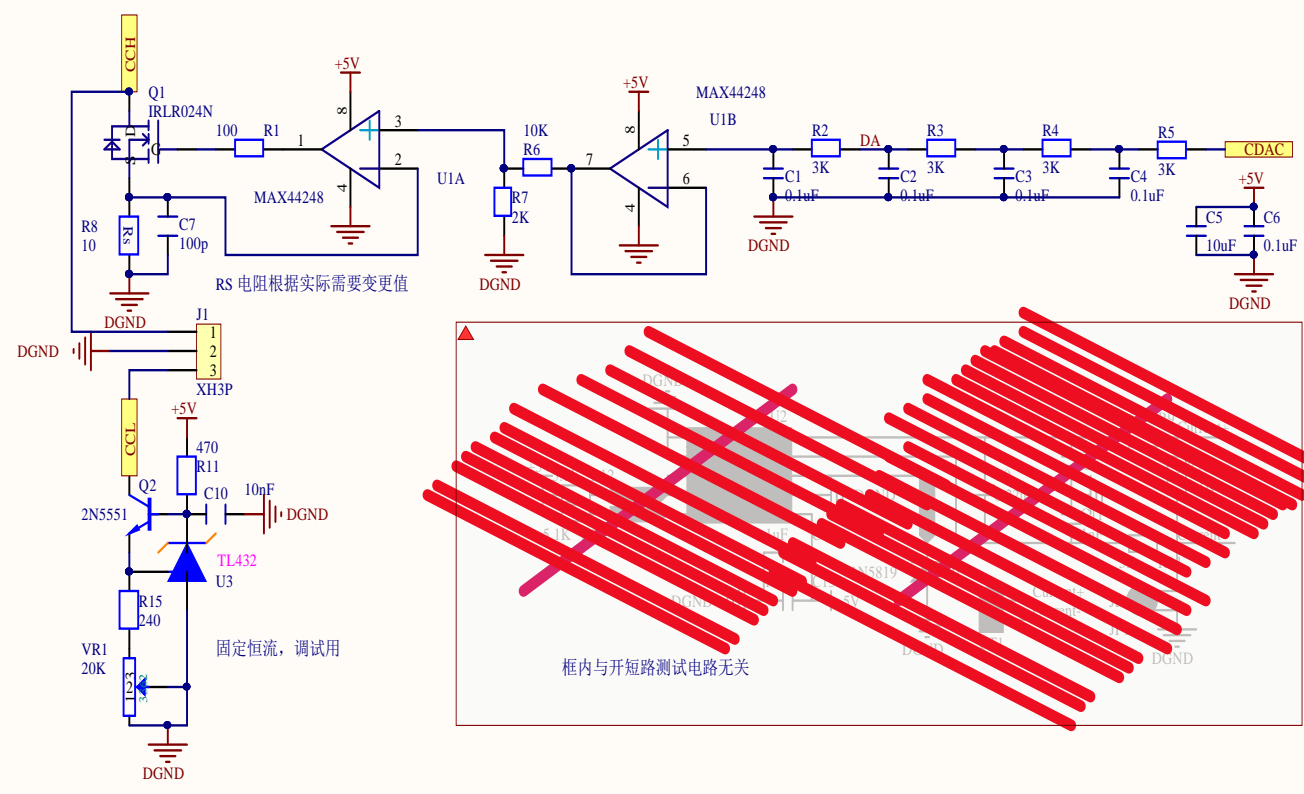
Title		
Size A4	Number	Revision
Date:	2018/10/17	Sheet of
File:	E:\FILES\Files_PCB\FT8B 导资料用 \BA\SD_SchDoc	



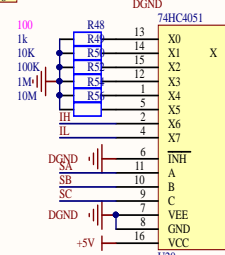
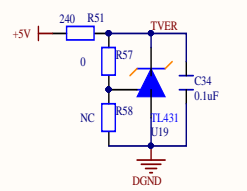
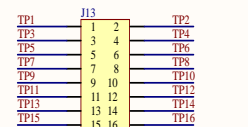
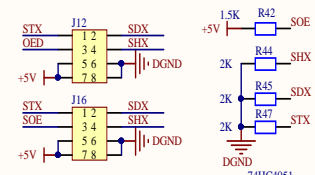
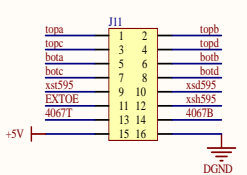
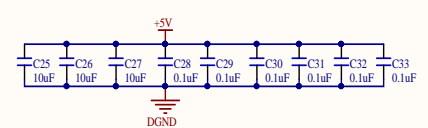
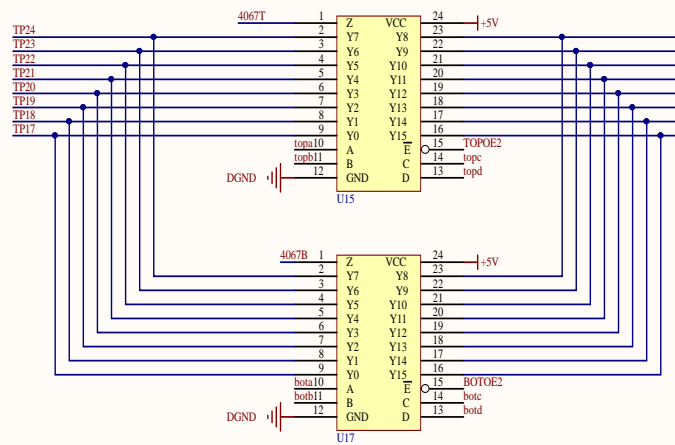
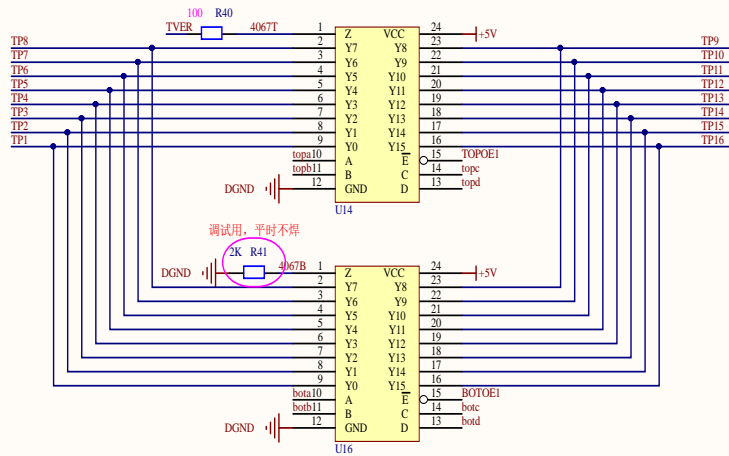
Title		
Size A4	Number	Revision
Date:	2018/10/17	Sheet of
File:	E:\FILES\...\Power.SchDoc	Drawn By:



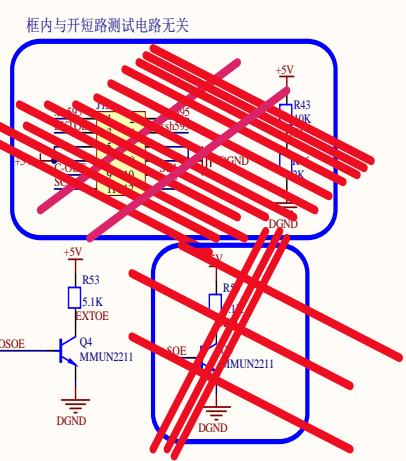
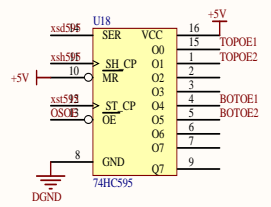
Title		
Size	Number	Revision
A3		
Date:	2018/10/17	Sheet of
File:	E:\FILES\Files_PCB\FT8B 导资料用	Mtunshu By:



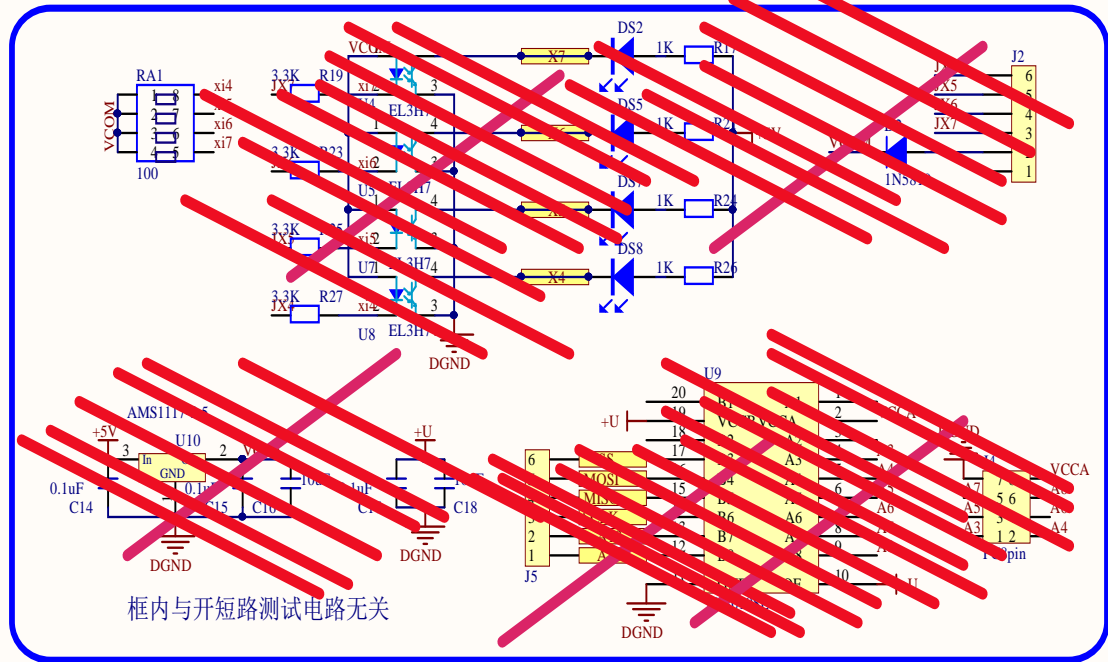
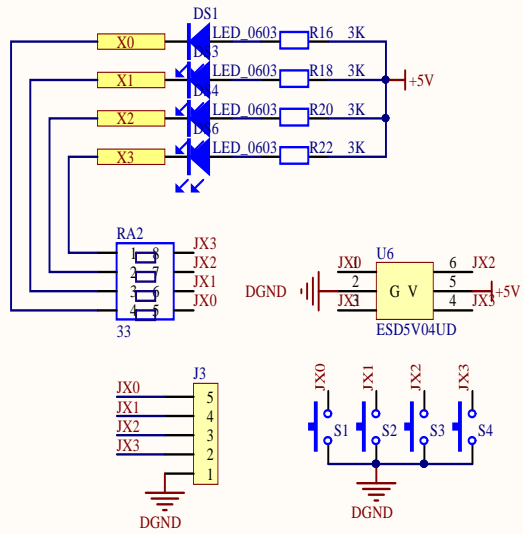
Title		
Size A4	Number	Revision
Date: 2018/10/17	Sheet of	
File: E:\FILES\Files_PCB\FT8B 导资料用 \CC_57101.doc By:		



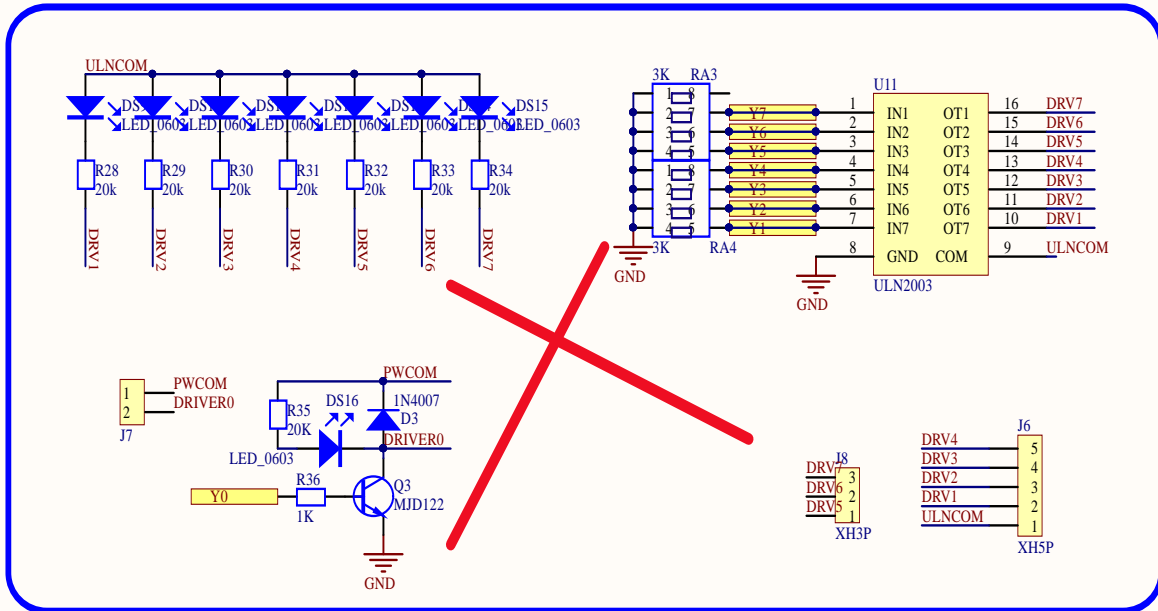
初版电路, 电阻测试电路做了两套。
可根据读到 4067 B 的电压计算出电阻。
再扣掉 4067 和 4051 本身的导通阻值。



AD4067B	4067B
AD4067T	4067T
xst595	xst595
SD595	xsh595
SH595	OSOE
OE595	
TOPA	topa
TOPB	topb
TOPC	topc
TOPD	topd
BOTA	bota
BOTB	botb
BOTC	botc
BOTD	botd
OELR	SOE
STX	STX
SD595E	SDX
SH595E	SHX
CSA	SA
TSB	SB
ISC	SC
CCH	IH
CCL	IL



Title		
Size	Number	Revision
A4		
Date:	2018/10/17	Sheet of
File:	E:\FILES\...\Input.SchDoc	Drawn By:



Title		
Size	Number	Revision
A4		
Date:	2018/10/17	Sheet of
File:	E:\FILES\...\output.SchDoc	Drawn By: